



Model 850 Portable Barrier

- DOS Certified K4 rating 15,000 lbs @ 30 mph (6,803.9 kg @ 48.3 km/hr)
- Hydraulic and manual operation
- Custom barrier designs available
- No excavation needed
- Fully operational within 15 minutes
- Simple relocation with minimal effort
- Long-term durability
- DC powered system available
- Towable design

Portable Protection and Control

B&B ARMR’s Model 850 Portable Barrier is designed to be rapidly deployed in an emergency situation and fully operational within 15 minutes. With a crash rating of K4, the portable barrier presents a formidable deterrent capable of stopping a 15,000 pound (6803.9 kg) vehicle traveling at 30 mph (48.3 km/h). The barrier may be towed into position using a truck, and once in place, the barrier is lowered into position with built-in jacks.

With a clear opening of 12 feet, B&B ARMR’s Model 850 portable barrier can serve as an instant road block for event control or areas where foundation work cannot be safely or quickly performed. On unpaved or uneven road surfaces, the stabilizers on the back side of the unit serve as additional reinforcement. To further increase the stopping capacity of Model 850, optional jersey barriers may be used in place of the stabilizers. B&B ARMR’s portable barrier has been fully tested by an independent testing

facility and certified by U.S. Department of State. The electro-hydraulic version of the Model 850 portable barrier utilizes standard relay logic which will allow the control of the barrier with the supplied up/down push button control station. Custom control panels with locking features, indicator lights and custom graphics are also available. Additional devices may also be used to enhance the barrier performance including barrier gate operators and traffic lights.

In addition to its versatility as a mobile barrier, B&B ARMR’s model 850 can be equipped with a variety of power options ranging from a simple AC power plug to a battery system or even solar power.

Distributed by



(800) 236-0112 tapconet.com

5100 West Brown Deer Road • Brown Deer, WI 53223



Contract Holder
GS-07F-5924R
GS-07F-0234U



U.S. COMMUNITIES
GOVERNMENT PURCHASING ALLIANCE
Supplier Partner

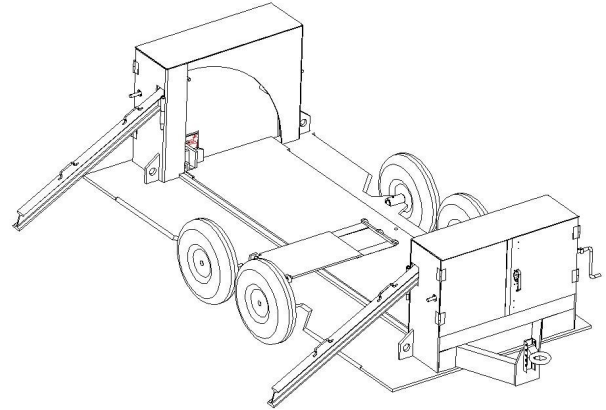
Anti-Terrorist Vehicle Barriers
Automated Gate Systems
Full Product Service and Support



Model 850 Portable Barrier

Available Models	Drive Design	Operating Time	Barrier Opening
850 Portable Barrier	Hydraulic	10-20 Seconds*	12'
Features	850		
Hand Held Push Button	✓		
Fully Down Limit Switch	✓		
Master and Remote Control Panel	Option		
Manual Operation	Option		
Spare Tire Assembly	Option		
Battery Back Up (12 & 24 vdc)	Option		
Solar Panel Battery Charging Kit	Option		
Safety IR Beams	Option		
Traffic Light with Pole	Option		
2 5/8" Ball Hitch	Option		
Tow Light Kit	Option		
Removable Hitch Assembly	Option		

* Operating time may be adjusted to suit users' needs.



Model 850 Portable Barrier

B&B ARMR's portable barriers provide a high level of security for permanent and temporary applications at institutions such as military bases, government facilities, or commercial and industrial installations.

Securing the perimeter of your facility protects not only your facility and assets, but your personnel as well. B&B ARMR offers a full range of automated gates and barrier systems built on more than 80 years of research and design experience.



As a premier provider of high security gates and barriers for perimeter protection and control, B&B ARMR is well positioned to serve our clients with unparalleled product offerings for commercial and industrial applications.

Distributed by **TAPCO** 1-800-236-0112 www.tapconet.com 5100 West Brown Deer Road Brown Deer, WI 53223

