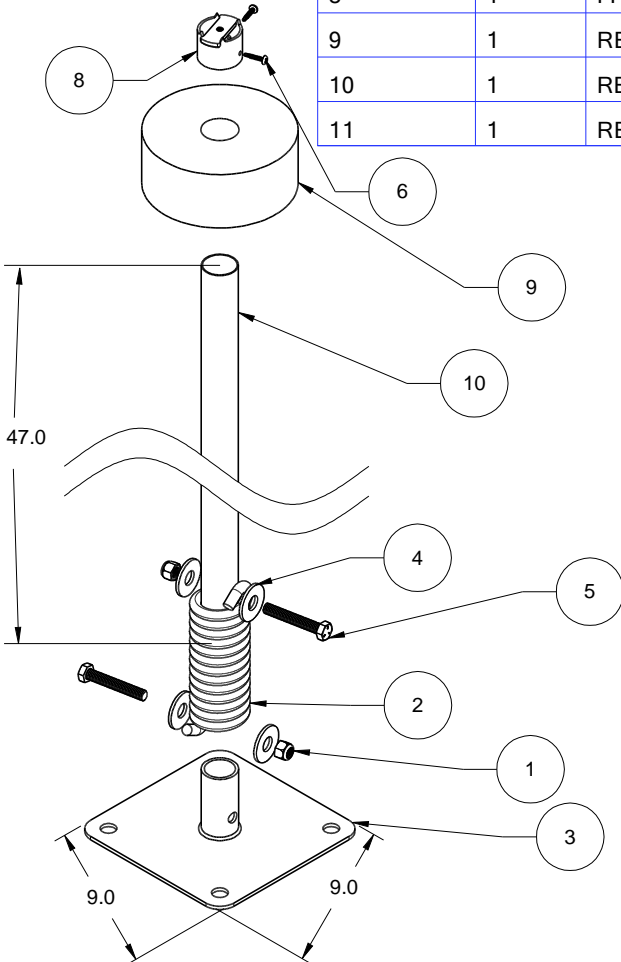
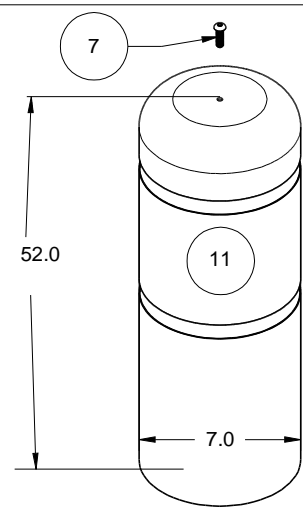




REVISIONS

ZONE	REV	DESCRIPTION	DATE	APPROVED
------	-----	-------------	------	----------

Item Number	Quantity	Part Number	Part Name	Revision	Comment
1	2	37030	Hex Locknut - Zinc		
2	1	RE-SK	Torsion Spring		
3	1	RE-BP	Base Plate		
4	4	33012	.5" Flat Washer - Zinc		
5	2	13824	3" Hex Bolt - Zinc		
6	2	11253669	10-6 x .5" Tap Screw		
7	1	73780	5/16-18x1 Butt. Cap Screw		
8	1	FP-RTC	Bollard Cap		
9	1	RE-FR-7	7" Foam Spacer Ring		
10	1	RE-47P	47" Galv. Steel Post		
11	1	RE-BC(52)	Bollard Cover - 52" x 7"		



DRAWN John Sanderson	DATE 5-10-15
	CHECKED
QA	
MFG	
APPROVED	

# FlexBollard

SIZE <b>A</b>	FSCM NO.	DWG NO. <b>B52</b>	REV
SCALE	SHEET		1 of 1



Distributed by



1-800-236-0112  
www.tapconet.com

5100 West Brown Deer Road  
Brown Deer, WI 53223

