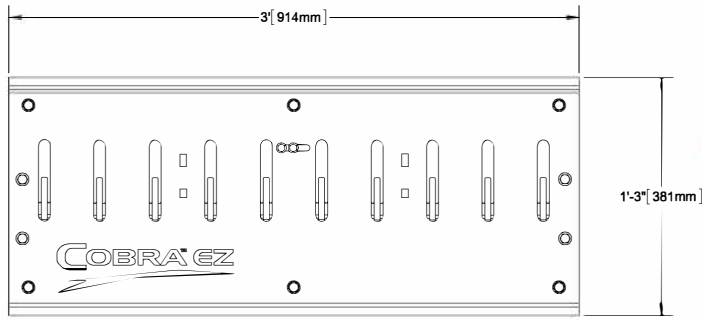


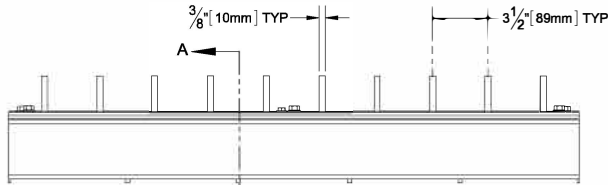
ALL STEEL CONSTRUCTION  
 PART NUMBERS:  
 11320.100 - PAINTED  
 11320.120 - GALVANIZED  
 11320.130 - POWDER COATED



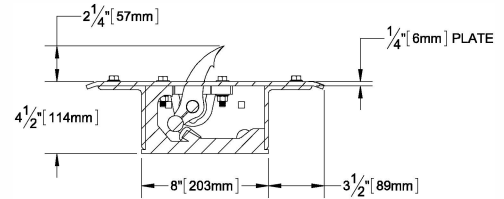
(A) TOP VIEW  
SCALE NTS



(D) ISOMETRIC VIEW  
SCALE NTS



(B) FRONT VIEW  
SCALE NTS



SECTION A-A

(C) SIDE VIEW  
SCALE NTS

UNLESS OTHERWISE SPECIFIED:		MATERIAL:	SIZE:	PART NUMBER:	REV:	DESCRIPTION:
DIMENSIONS ARE IN INCHES TOLERANCES: FRACTIONAL ± 1/16" ANGULAR ± 0.005" THREE PLACE DECIMAL ± 0.005		N/A	B	11320	-	COBRA EZ 3' (914mm) IN-GROUND TRAFFIC SPIKE SECTION
DO NOT SCALE DRAWING	NAME:	DATE:	SCALE: N/A	WEIGHT: N/A	SHEET 1	
DRAWN:	RLS	10/05/13				

Distributed by



1-800-236-0112  
www.tapconet.com

5100 West Brown Deer Road  
Brown Deer, WI 53223

GSA Contract Holder  
GS-07F-5924R  
GS-07F-0234U

U.S. COMMUNITIES  
GOVERNMENT PURCHASING ALLIANCE  
Supplier Partner