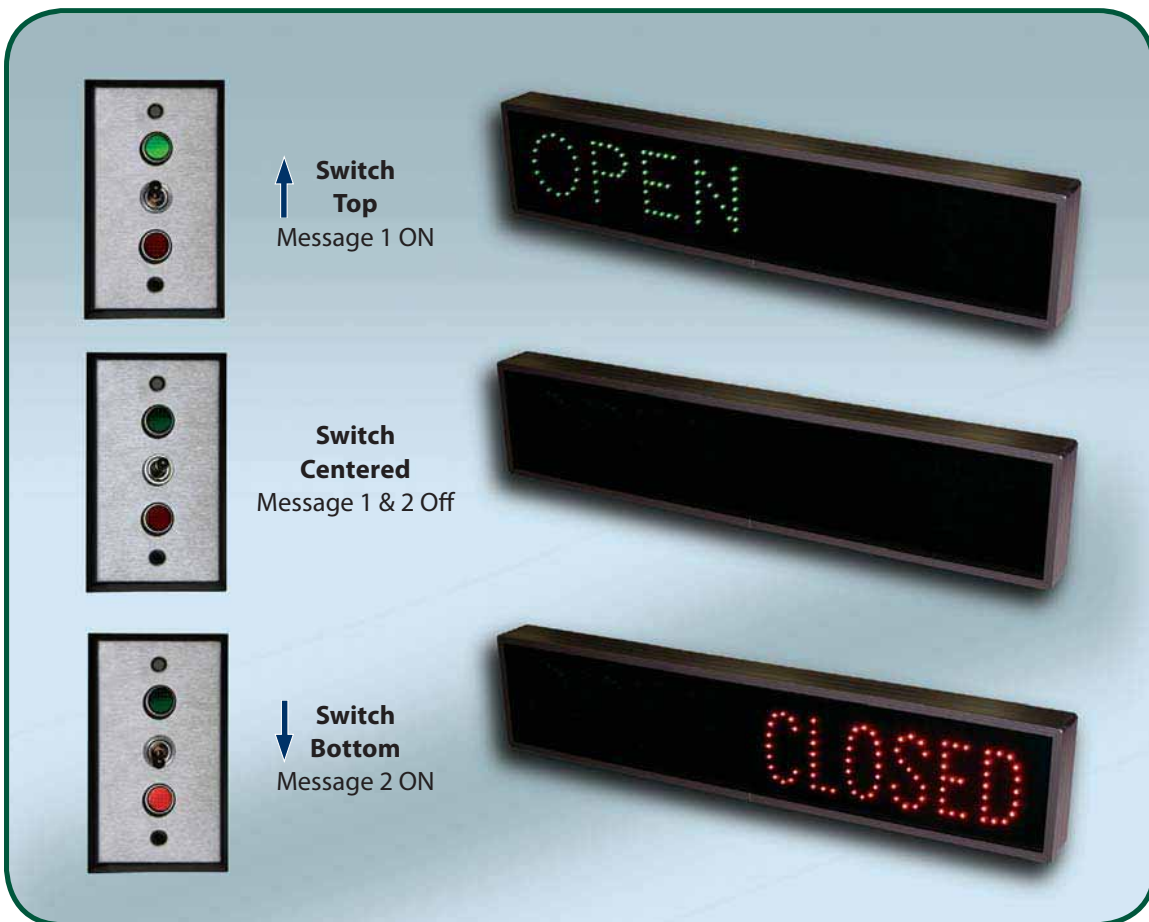


Switches



Example:

Single Pole, Double Throw, 2-Position Switch



Switches Wiring Diagram

Switch Wiring Examples

- (A) (1) Single Pole / Double Throw Switch**
- (B) (1) Single Pole / Single Throw Switches**



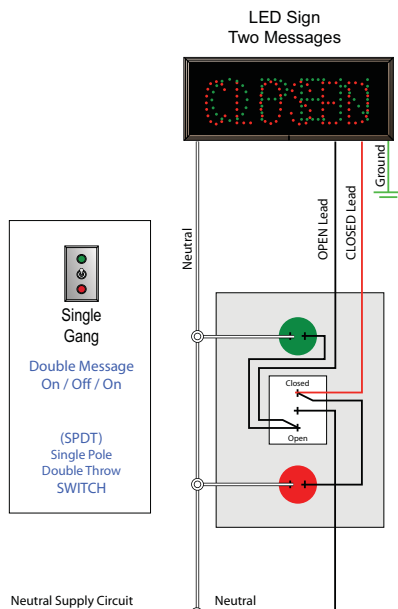
Note: This sign is intended to be installed in accordance with the requirements of Article 600 of the National Electric Code and / or other applicable local codes. This includes proper grounding and bonding of the sign.



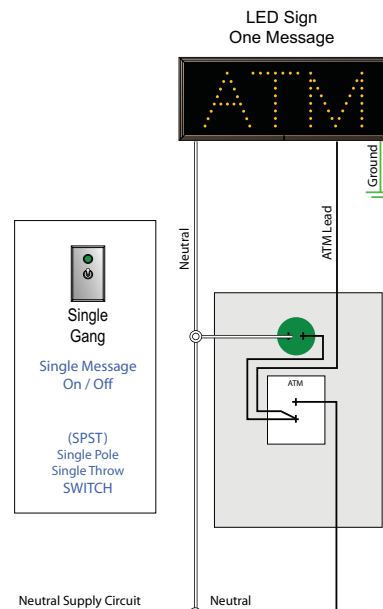
For Supply Connections
Use Wire Rated For
At Least 110° C

Schematic View

(A) LED Sign with Two Messages



(B) LED Sign with One Message



Switches Wiring Diagram

Switch Wiring Examples

- (A) (1) Double Pole / Double Throw Switch**
- (B) (2) Double Pole / Double Throw Switches**

All switches are compatible with all light sources.



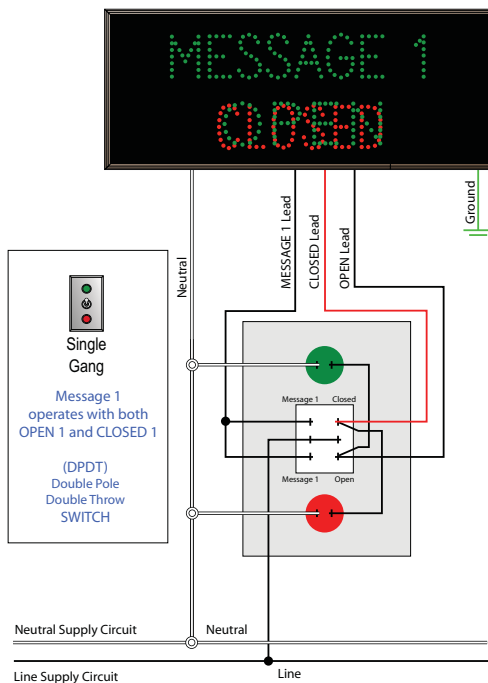
Note: This sign is intended to be installed in accordance with the requirements of Article 600 of the National Electric Code and / or other applicable local codes. This includes proper grounding and bonding of the sign.



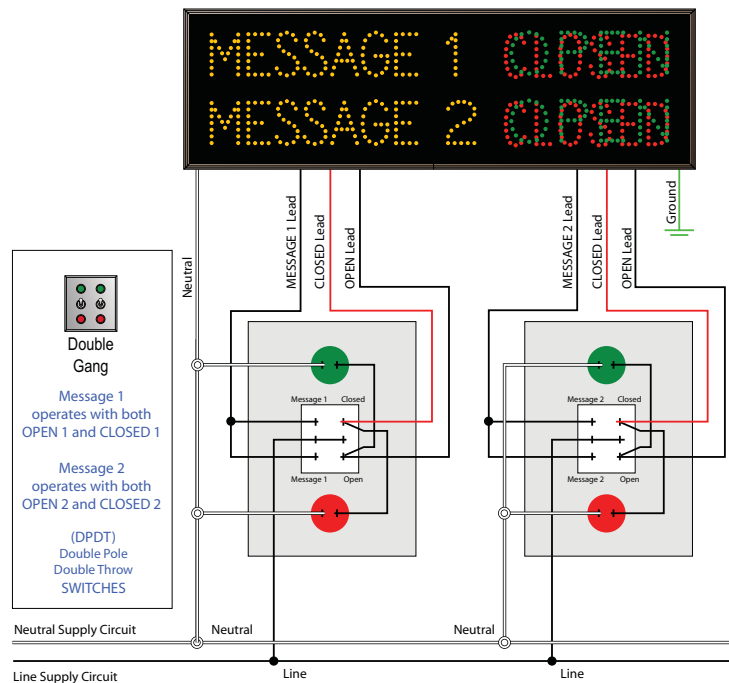
For Supply Connections
Use Wire Rated For
At Least 110° C

Schematic View

(A) LED Sign with Two Messages

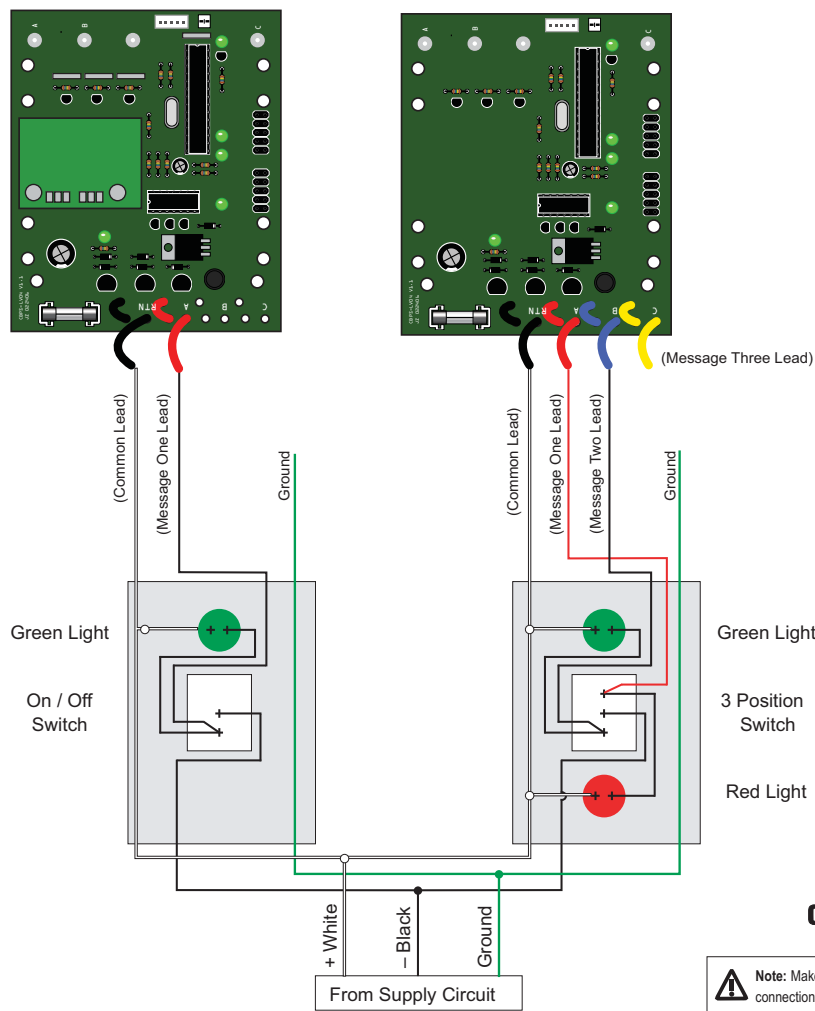


(B) LED Sign with Four Messages



Switches Wiring Diagram

Low Voltage Power Supply Wiring Diagram

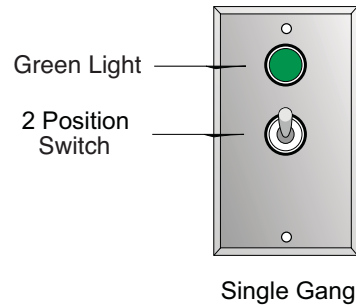


Note: Make appropriate wiring connections per local codes.

For Supply Connections
 Use Wire Rated For
 At Least 110℅ C
120 Volts 0.9 Amps

Single Gang Switch SG2 - 1 On/Off Switch

Front View



PART NUMBER

SG2 (One Single Pole / Single Throw Switch)

SWITCHPLATE DIMENSIONS

4.5" H x 2.75" L

ILLUMINATION SOURCE

Green and Red Indicator Lamps

ELECTRICAL

120 VAC, 0.9 Amps

CONSTRUCTION

Switchplate - Stamped Stainless Steel

FINISH

Switchplate - Brushed Stainless Steel



Note: This sign is intended to be installed in accordance with the requirements of Article 600 of the National Electric Code and / or other applicable local codes. This includes proper grounding and bonding of the sign.

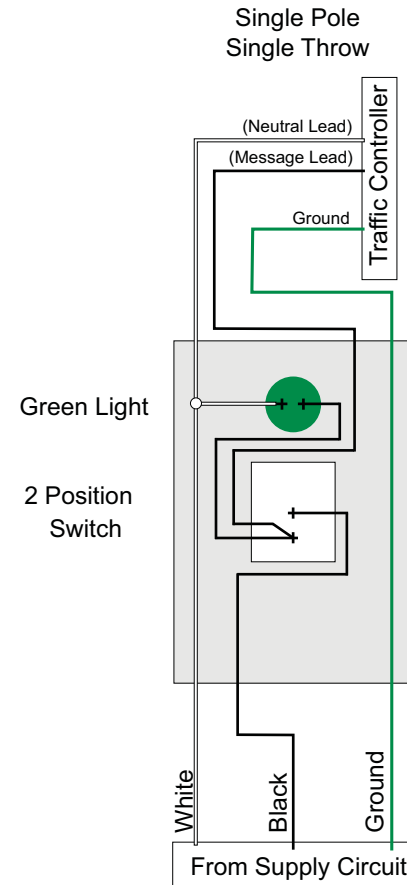


For Supply Connections
Use Wire Rated For
At Least 110° C



Note: Make appropriate wiring connections per local codes.

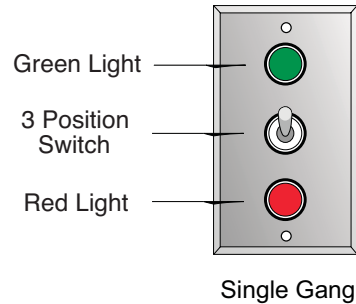
Schematic View



Single Gang Switch

SG - 1 Single Pole / Double Throw Switch

Front View



PART NUMBER

SG (One Single Pole / Double Throw Switch)

SWITCHPLATE DIMENSIONS

4.5" H x 2.75" L

ILLUMINATION SOURCE

Green and Red Indicator Lamps

ELECTRICAL

120 VAC, 0.9 Amps

CONSTRUCTION

Switchplate - Stamped Stainless Steel

FINISH

Switchplate - Brushed Stainless Steel



Note: This sign is intended to be installed in accordance with the requirements of Article 600 of the National Electric Code and / or other applicable local codes. This includes proper grounding and bonding of the sign.

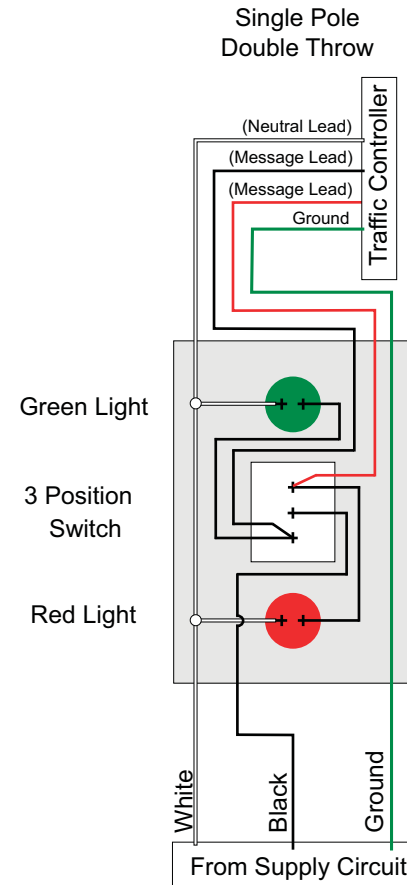


For Supply Connections
Use Wire Rated For
At Least 110° C



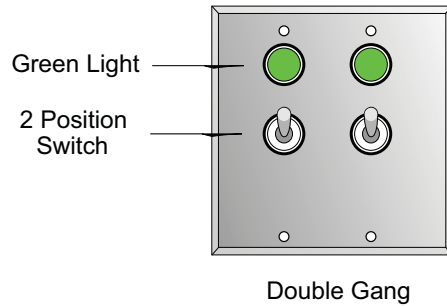
Note: Make appropriate wiring connections per local codes.

Schematic View



Double Gang Switch DG22 Double Gang 2 On / Off Switches

Front View



PART NUMBER

DG22 (Two Single Pole / Single Throw)

SWITCHPLATE DIMENSIONS

4.5" H x 4.5" L

ILLUMINATION SOURCE

Green Indicator Lamp

ELECTRICAL

120 VAC, 0.9 Amps

CONSTRUCTION

Switchplate - Stamped Stainless Steel

FINISH

Switchplate - Brushed Stainless Steel



Note: This sign is intended to be installed in accordance with the requirements of Article 600 of the National Electric Code and / or other applicable local codes. This includes proper grounding and bonding of the sign.

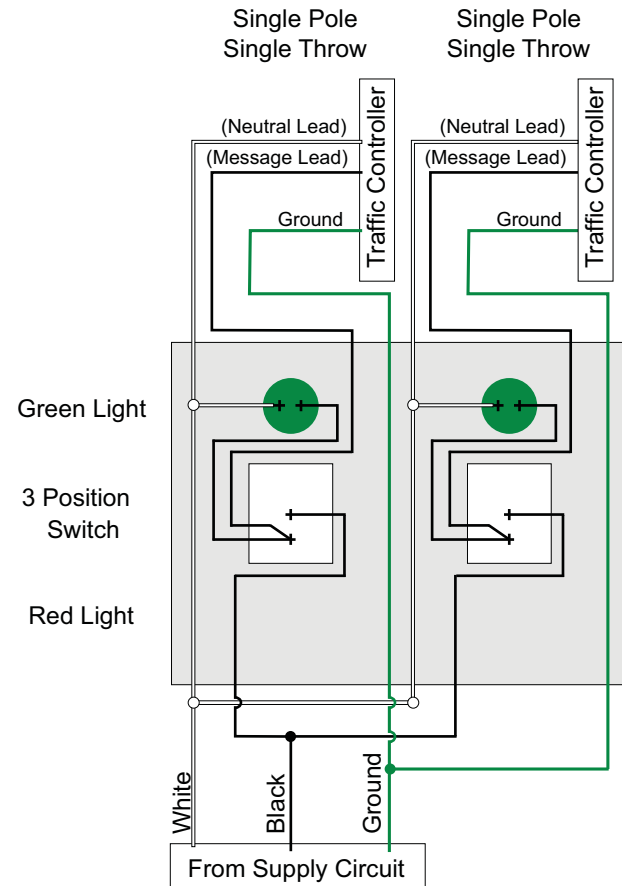


For Supply Connections
Use Wire Rated For
At Least 110° C



Note: Make appropriate wiring connections per local codes.

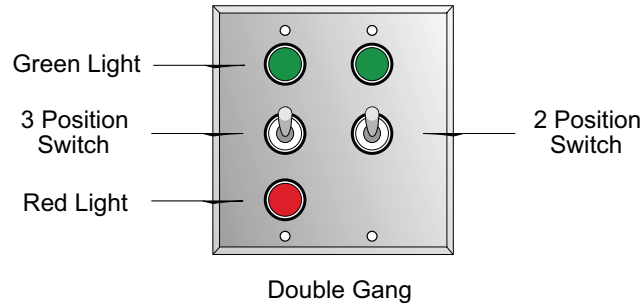
Schematic View



Double Gang Switch

DG32 - 1 Single Pole Double Throw, 1 On/Off Switch

Front View



PART NUMBER

DG32 (One Single Pole / Double Throw Switch, One Single Pole / Single Throw Switch)

SWITCHPLATE DIMENSIONS

4.5" H x 4.5" L

ILLUMINATION SOURCE

Green and Red Indicator Lamps

ELECTRICAL

120 VAC, 0.9 Amps

CONSTRUCTION

Switchplate - Stamped Stainless Steel

FINISH

Switchplate - Brushed Stainless Steel



Note: This sign is intended to be installed in accordance with the requirements of Article 600 of the National Electric Code and / or other applicable local codes. This includes proper grounding and bonding of the sign.

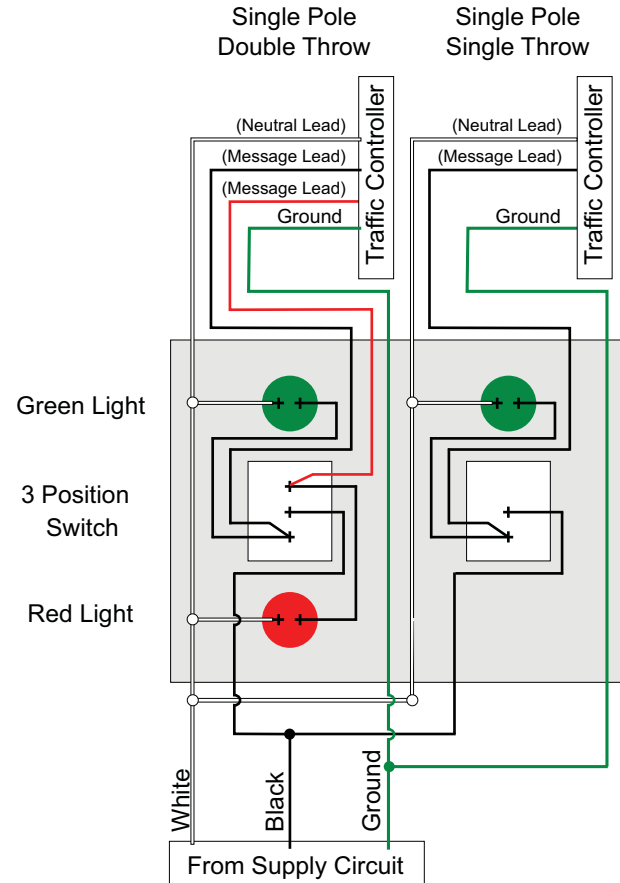


For Supply Connections
Use Wire Rated For
At Least 110° C



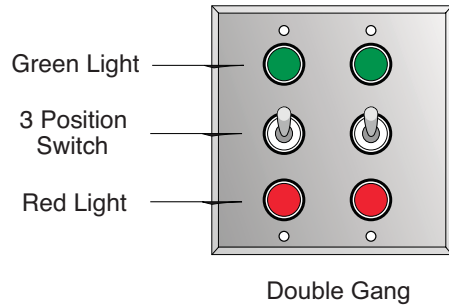
Note: Make appropriate wiring connections per local codes.

Schematic View



Double Gang Switch DG - Two Single Pole / Double Throw Switches

Front View



PART NUMBER

DG (Two Single Pole / Double Throw Switches)

SWITCHPLATE DIMENSIONS

4.5" H x 4.5" L

ILLUMINATION SOURCE

Green and Red Indicator Lamps

ELECTRICAL

120 VAC, 0.9 Amps

CONSTRUCTION

Switchplate - Stamped Stainless Steel

FINISH

Switchplate - Brushed Stainless Steel



Note: This sign is intended to be installed in accordance with the requirements of Article 600 of the National Electric Code and / or other applicable local codes. This includes proper grounding and bonding of the sign.

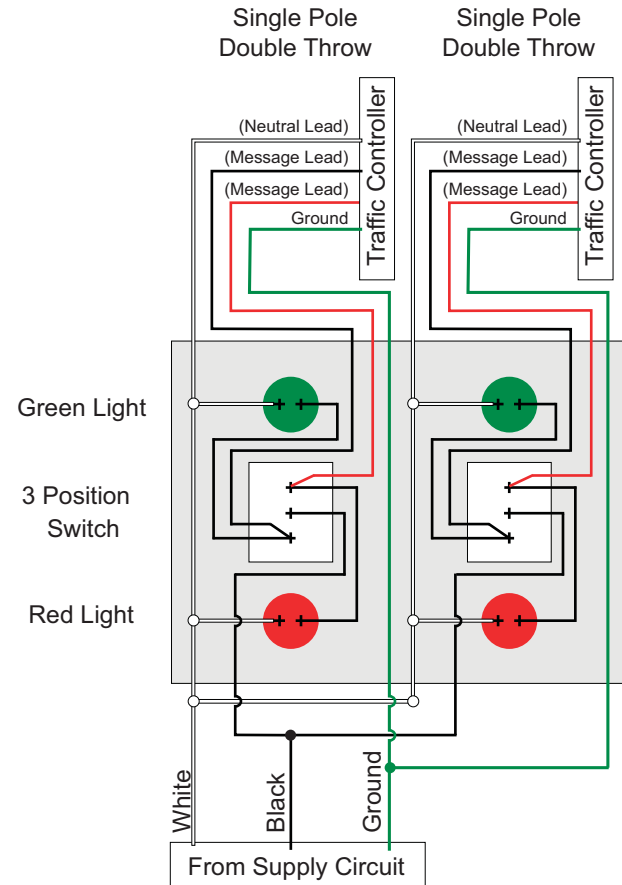


For Supply Connections
Use Wire Rated For
At Least 110° C



Note: Make appropriate wiring connections per local codes.

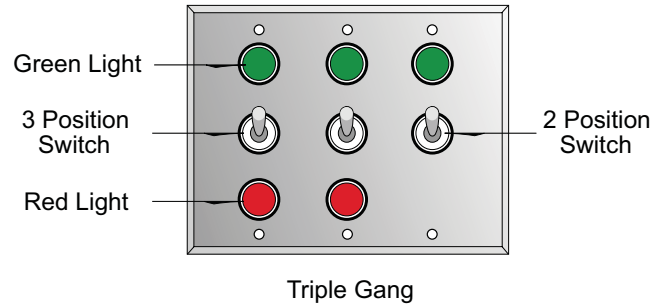
Schematic View



Triple Gang Switch

TG332 - 2 Single Pole / Double Throw, 1 On/Off Switch

Front View



PART NUMBER

TG332 (Two Single Pole / Double Throw Switches, One Single Pole / Single Throw)

SWITCHPLATE DIMENSIONS

4.5" H x 6.375" L

ILLUMINATION SOURCE

Green and Red Indicator Lamps

ELECTRICAL

120 VAC, 0.9 Amps

CONSTRUCTION

Switchplate - Stamped Stainless Steel

FINISH

Switchplate - Brushed Stainless Steel



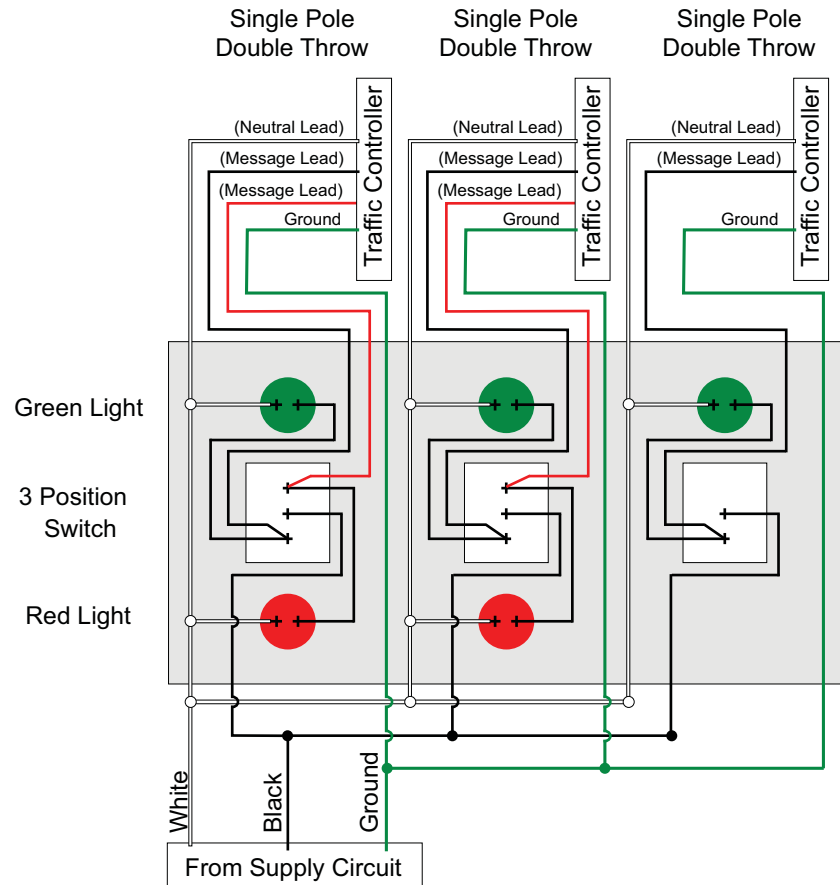
Note: This sign is intended to be installed in accordance with the requirements of Article 600 of the National Electric Code and / or other applicable local codes. This includes proper grounding and bonding of the sign.



For Supply Connections
Use Wire Rated For
At Least 110° C

Note: Make appropriate wiring connections per local codes.

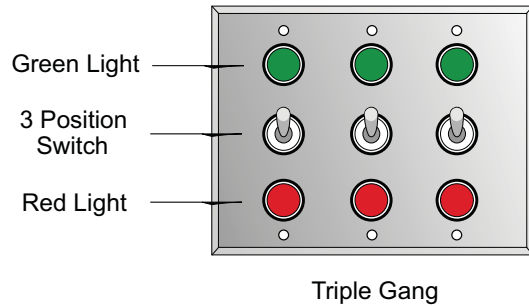
Schematic View



Triple Gang Switch

TG - 3 Single Pole / Double Throw Switches

Front View



PART NUMBER

TG (Three Single Pole / Double Throw Switches)

SWITCHPLATE DIMENSIONS

4.5" H x 6.375" L

ILLUMINATION SOURCE

Green and Red Indicator Lamps

ELECTRICAL

120 VAC, 0.9 Amps

CONSTRUCTION

Switchplate - Stamped Stainless Steel

FINISH

Switchplate - Brushed Stainless Steel



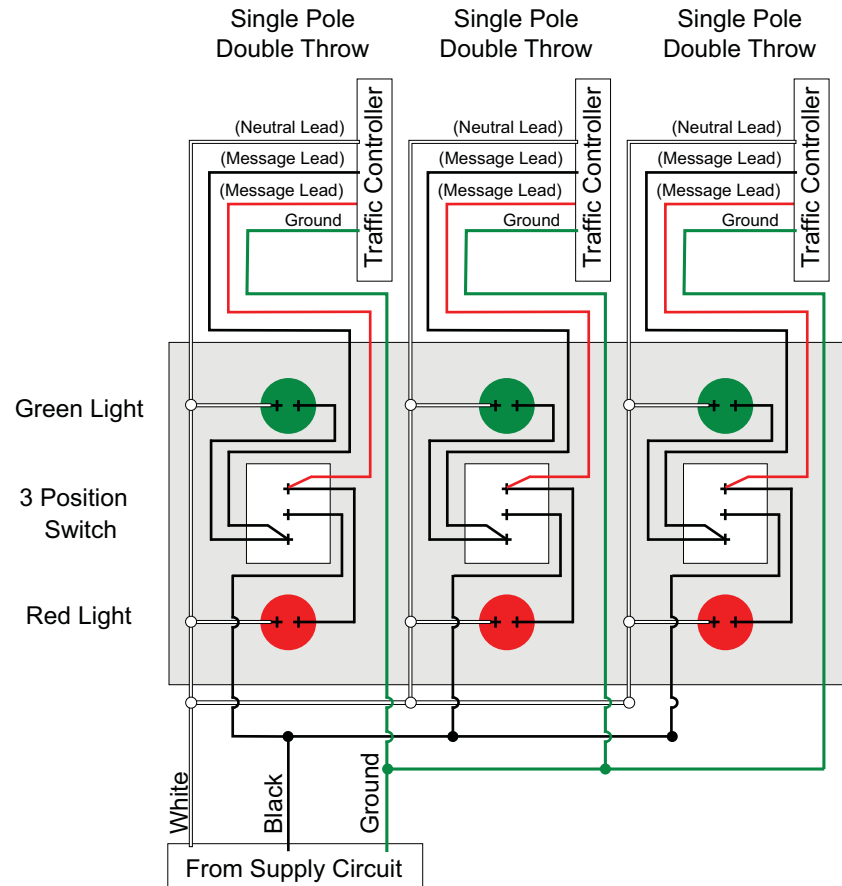
Note: This sign is intended to be installed in accordance with the requirements of Article 600 of the National Electric Code and / or other applicable local codes. This includes proper grounding and bonding of the sign.



For Supply Connections
Use Wire Rated For
At Least 110° C

Note: Make appropriate wiring connections per local codes.

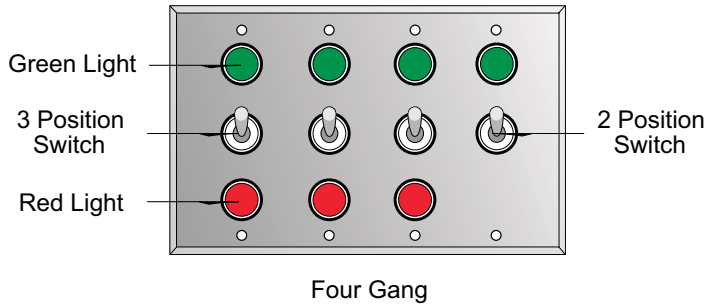
Schematic View



Four Gang Switch

FG3332 - 3 Single Pole / Double Throw, 1 On/Off Switch

Front View



PART NUMBER

FG3332 (Three Single Pole / Double Throw Switches, One Single Pole / Single Throw)

SWITCHPLATE DIMENSIONS

4.5" H x 8.25" L

ILLUMINATION SOURCE

Green and Red Indicator Lamps

ELECTRICAL

120 VAC, 0.9 Amps

CONSTRUCTION

Switchplate - Stamped Stainless Steel

FINISH

Switchplate - Brushed Stainless Steel



Note: This sign is intended to be installed in accordance with the requirements of Article 600 of the National Electric Code and / or other applicable local codes. This includes proper grounding and bonding of the sign.

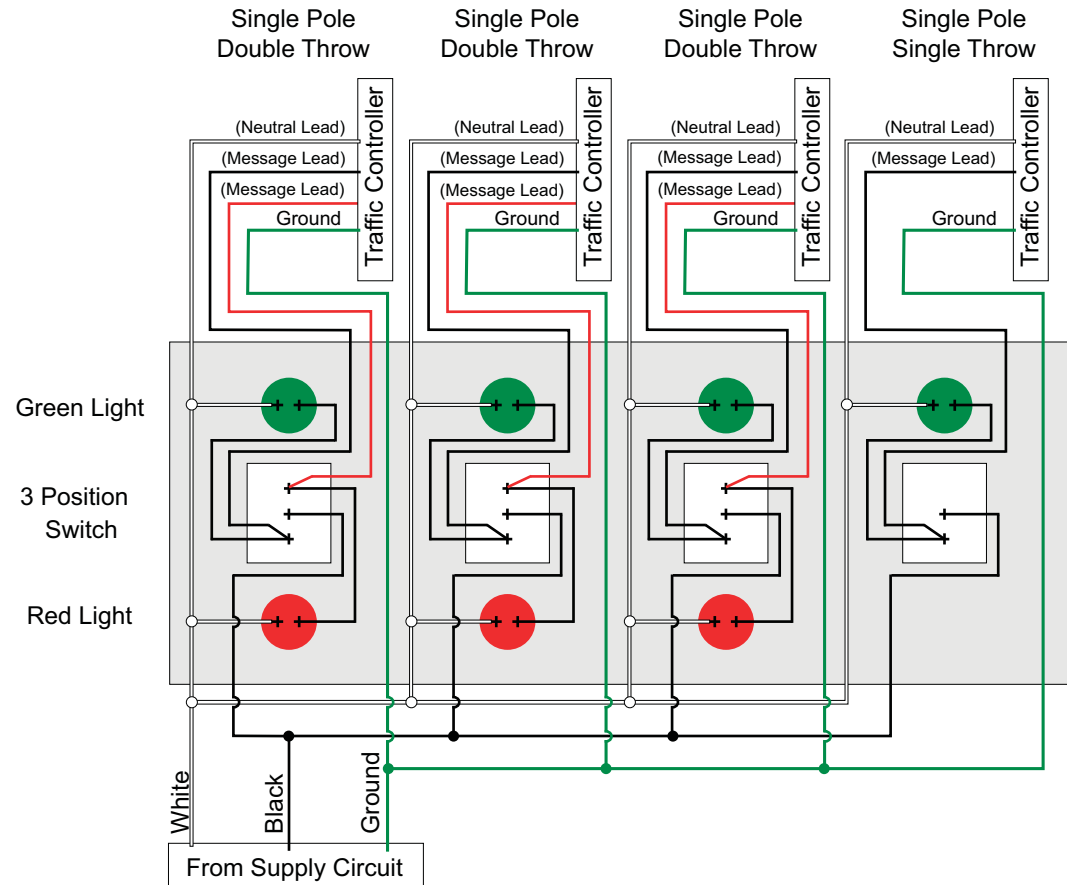


For Supply Connections
Use Wire Rated For
At Least 110° C



Note: Make appropriate wiring connections per local codes.

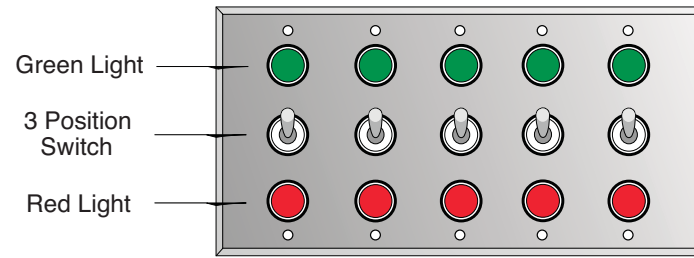
Schematic View



Five Gang Switch

FVG - 5 Single Pole / Double Throw Switches

Front View



Five Gang

PART NUMBER

FVG (Five Single Pole / Double Throw Switches)

SWITCHPLATE DIMENSIONS

4.5" H x 10" L

ILLUMINATION SOURCE

Green and Red Indicator Lamps

ELECTRICAL

120 VAC, 0.9 Amps

CONSTRUCTION

Switchplate - Stamped Stainless Steel

FINISH

Switchplate - Brushed Stainless Steel



Note: This sign is intended to be installed in accordance with the requirements of Article 600 of the National Electric Code and / or other applicable local codes. This includes proper grounding and bonding of the sign.

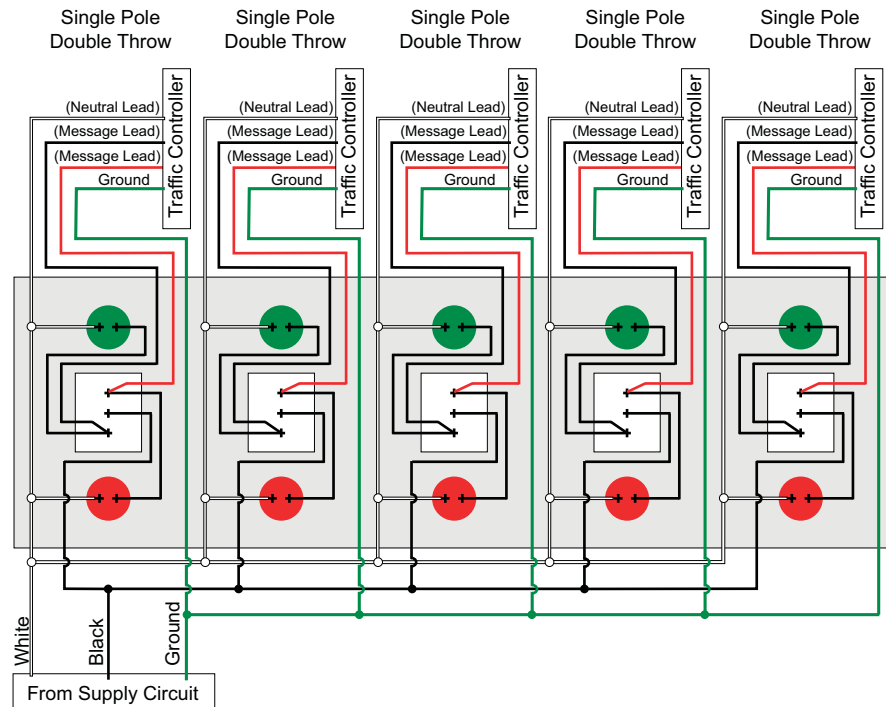


For Supply Connections
Use Wire Rated For
At Least 110° C



Note: Make appropriate wiring connections per local codes.

Schematic View



Distributed by



1-800-236-0112
www.tapconet.com

5100 West Brown Deer Road
Brown Deer, WI 53223

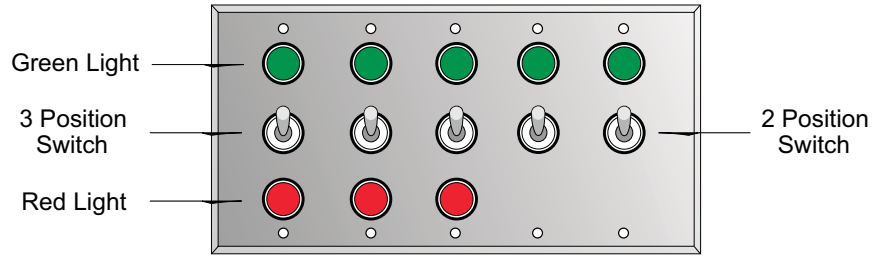
GSA Contract Holder
GS-07F-5924R
GS-07F-0234U

U.S. COMMUNITIES
GOVERNMENT PURCHASING ALLIANCE
Supplier Partner

Five Gang Switch

FVG33322 - 3 Single Pole / Double Throw, 2 On/Off Switches

Front View



Five Gang

PART NUMBER

FVG33322 (Three Single Pole / Double Throw Switches, Two Single Pole / Single Throw Switches)

SWITCHPLATE DIMENSIONS

4.5" H x 10" L

ILLUMINATION SOURCE

Green and Red Indicator Lamps

ELECTRICAL

120 VAC, 0.9 Amps

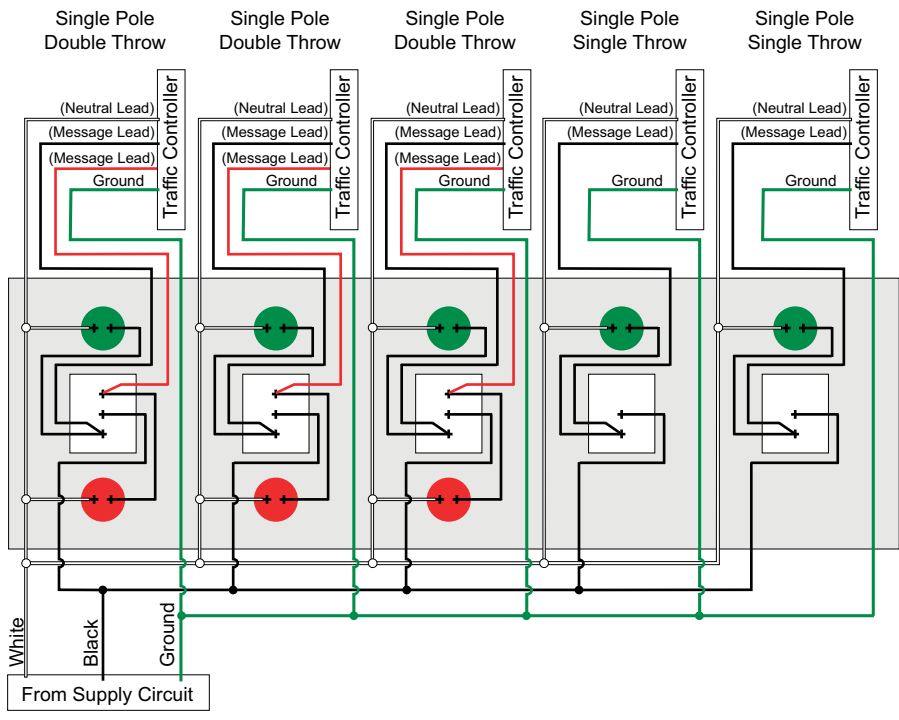
CONSTRUCTION

Switchplate - Stamped Stainless Steel

FINISH

Switchplate - Brushed Stainless Steel

Schematic View



Note: This sign is intended to be installed in accordance with the requirements of Article 600 of the National Electric Code and / or other applicable local codes. This includes proper grounding and bonding of the sign.

UL **us** For Supply Connections Use Wire Rated For At Least 110° C

Note: Make appropriate wiring connections per local codes.

Copyright © 2011 Signal-Technologies, Inc.

Distributed by



1-800-236-0112
www.tapconet.com

5100 West Brown Deer Road
Brown Deer, WI 53223

GSA Contract Holder
GS-07F-5924R
GS-07F-0234U

U **U.S. COMMUNITIES**
GOVERNMENT PURCHASING ALLIANCE
Supplier Partner