

SAFETYCADE®

Collapsible plastic
barricade that's easy to
set up and store



- Stack more on your truck!
- units use 65% less space than drums
- Quick set-up
- spring loaded feet quickly release for placement
- Lies flat when hit
- Replaceable sheeting panels
- recessed panels are removable, just clip on new panels
- Anti-skid pads on feet reduce movement in work zones
- 7 lb. feet - filled with silica sand
- optional ballast boots snap on feet adding 20 lbs. each
- Molded-in light receptacle for "D" cell battery lights
- Available in white
- NCHRP-350 Accepted, Meets MUTCD Standards



Use as a Direction Indicator Barricade

Use the Safetycade® in the taper, paired with the Verticade™ in tangent areas for improved flow and safety in work zones.



unit collapses when hit



lies flat, reducing damage to unit and vehicle

TF028 Rev. 1

Distributed by



1-800-236-0112
www.tapconet.com

5100 West Brown Deer Road
Brown Deer, WI 53223

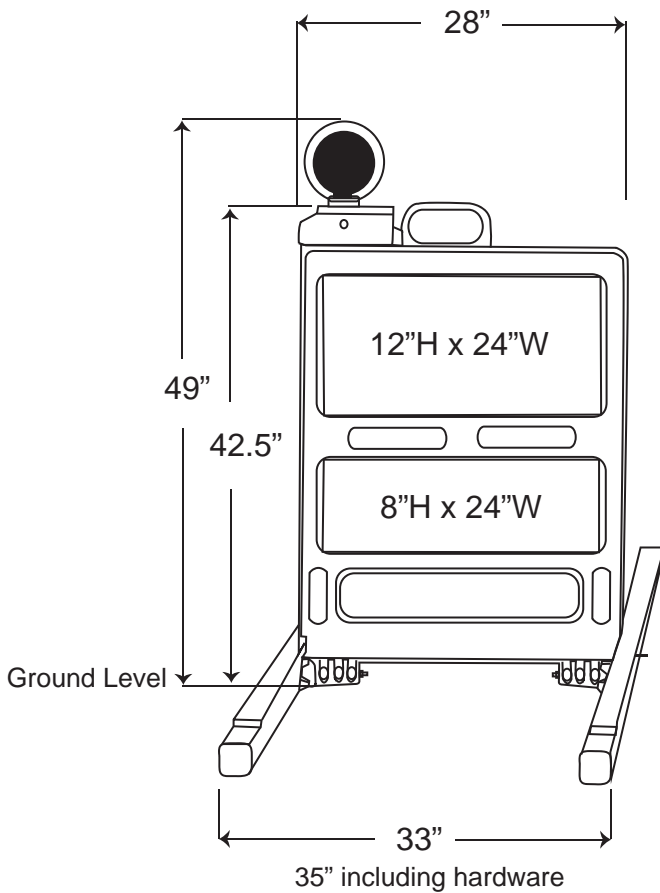
Contract Holder
GS-07F-5924R
GS-07F-0234U



U.S. COMMUNITIES
GOVERNMENT PURCHASING ALLIANCE
Supplier Partner

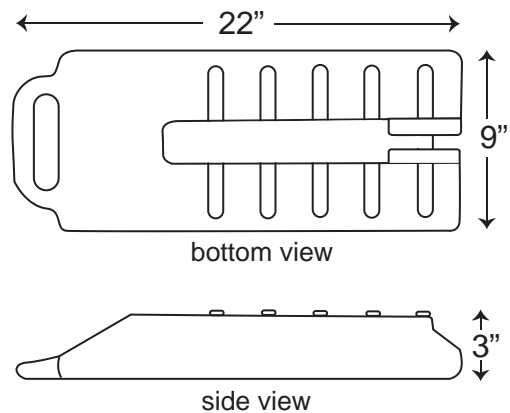


SAFETYCADE®



Specs	
Composition	High Density Polyethylene
Dimensions	42.5"H x 33"W x 3"D
Colors	White
Weight	29 lbs.
Retroreflective Sheeting	Available in all grades in white and orange

Ballast Boot



Ballast Boots weigh 20 lbs. each when filled with sand.

Barricade with two boots - 69 lbs.



HDPE

MADE IN THE USA

Distributed by



1-800-236-0112
www.tapconet.com

5100 West Brown Deer Road
Brown Deer, WI 53223

Contract Holder
GS-07F-5924R
GS-07F-0234U

U.S. COMMUNITIES
GOVERNMENT PURCHASING ALLIANCE
Supplier Partner